

6

5

4

3

2

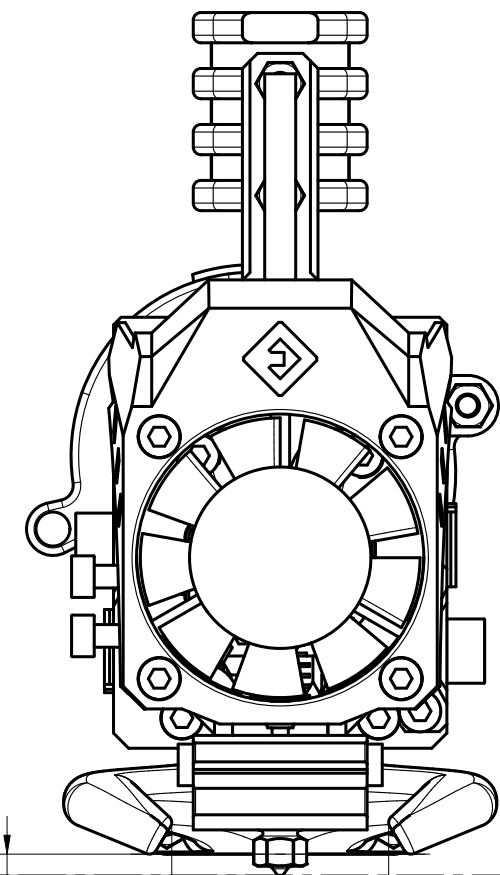
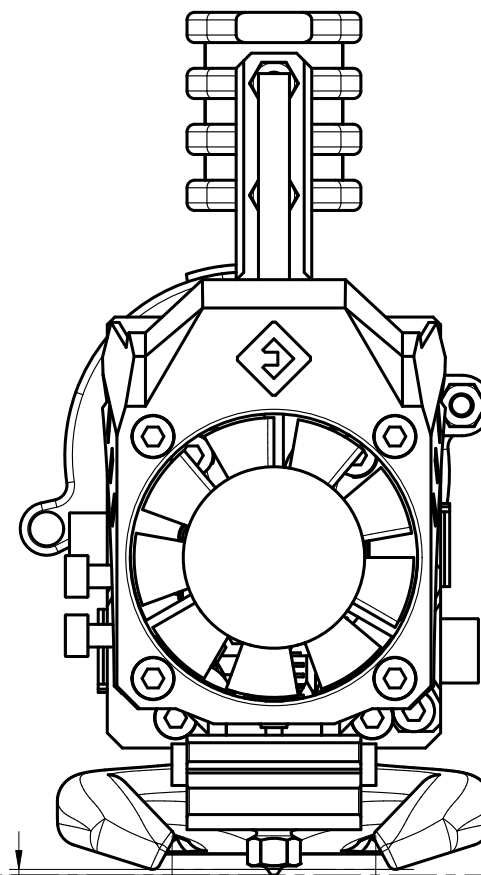
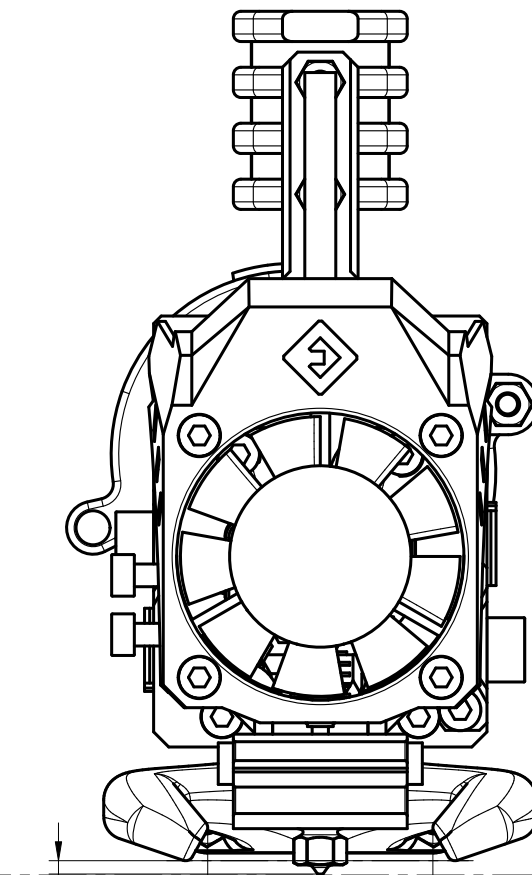
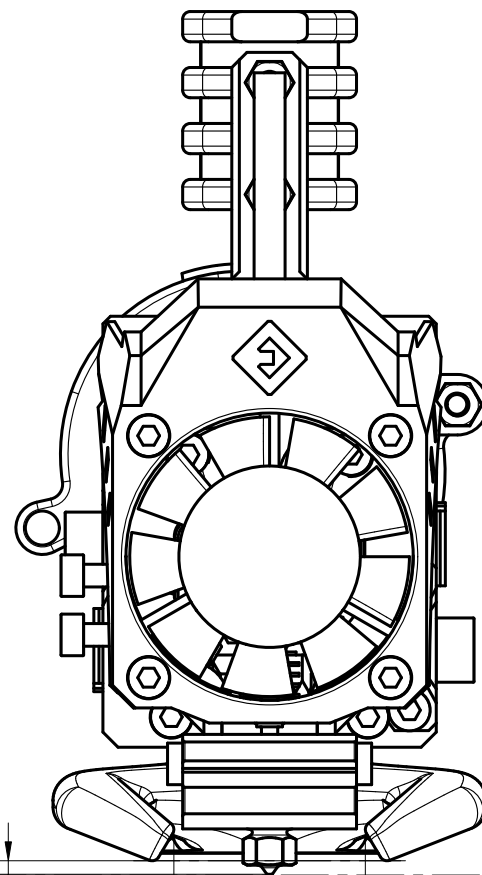
1

Default

Wide

Low

Wide / High



1,79

25,33

1,76

29,79

0,75

26,94

2,8

28,69

UNLESS OTHERWISE SPECIFIED,  
DIMENSIONS ARE IN MILLIMETERS

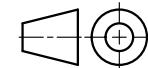
ANGULAR = ± °

SURFACE FINISH

DO NOT SCALE DRAWING

BREAK ALL SHARP EDGES AND  
REMOVE BURRS

FIRST ANGLE PROJECTION



	NAME	SIGNATURE	DATE
DRAWN	PAWEŁ KUCMUS		2021-03-26
CHECKED			
APPROVED			

TITLE		EVA 2 Horns Duct 2.1 Variants	
SIZE	DWG NO.	REV.	
A3	1	1	

SCALE	WEIGHT	SHEET	
1:1		1 of 1	

6

5

4

3

2

1

D

D

C

C

B

B

A

A